



It is a series of low cost but high level of functionality CMOS camera modules. It is small size, low voltage, low power consumption and high performance color video camera.

Features:

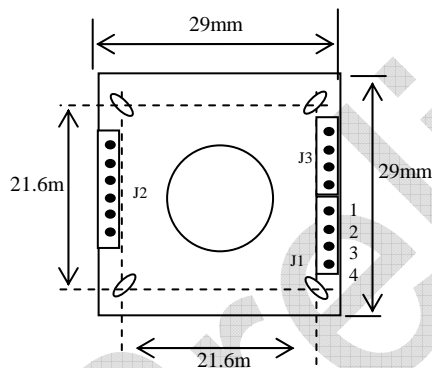
- ✓ Small size : 29x29 mm
- ✓ D1 resolution: 442Kpixels
- ✓ 1/3" lens format
- ✓ 5 - 9VDC operation
- ✓ Low power consumption
- ✓ Overlay to show text or graphic
- ✓ Direct connect to standard video monitor
- ✓ Automatic white balance
- ✓ Auto exposure/gain with 16 zone control
- ✓ Aperture / Gamma correction
- ✓ Low dark current for high temp application
- ✓ Defective pixel correction
- ✓ Auto banding cancellation
- ✓ Selectable outdoor/indoor
- ✓ Mono output for night time



Specification

	C3685 (PAL)	C3686 (NTSC)
Imager	CMOS imager sensor OV7960	
Exp Range	1/60sec –12uS	
Video Output	Composite video (75Ω)	
Picture Element	768 x 576 pixel	656 x 510 pixel
Effective image area	4.75 x 3.55mm	
Sensitivity	TBD	
Resolution	TBD TV lines	
S/N Ratio	TBD	
Dark Current	TBD	
FPN	TBD	
Dynamic range	TBD	
Operation Voltage	5 – 9 VDC	
Power consumption	300mW	
Connectors (1.5mm pitch)	J3- PWR, Video, GND J2 – GPIO J1 - Reserved	
Lens	f=3.6mm F/no: 2.0	
Board size	29x29mm	

Mechanical Size



Connector Description

J1 – reserved		
J3 – Video/power connector		
1	CVO	Composite Video Output.
2	GND	Common Ground for power and video
3	NC	No connection
4	PWR	Power Supply 5 - 9V DC
J2 – Keyboard Interface		
1-5	GPIO	GPIO for different application
6	GND	Common Ground